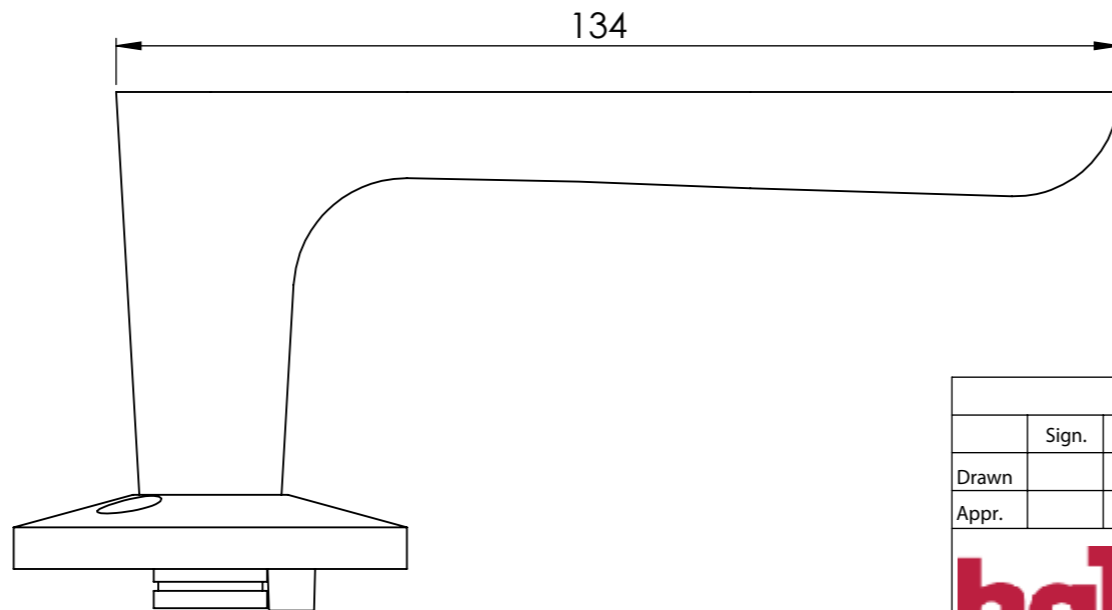
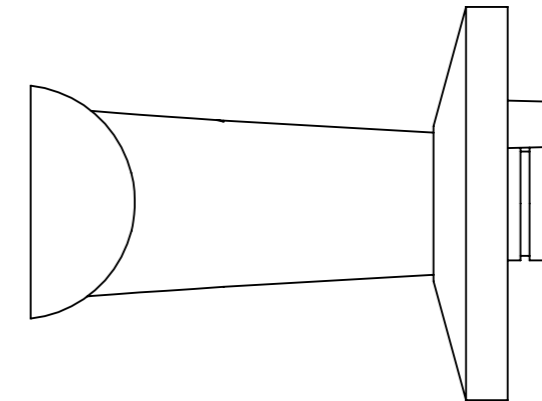
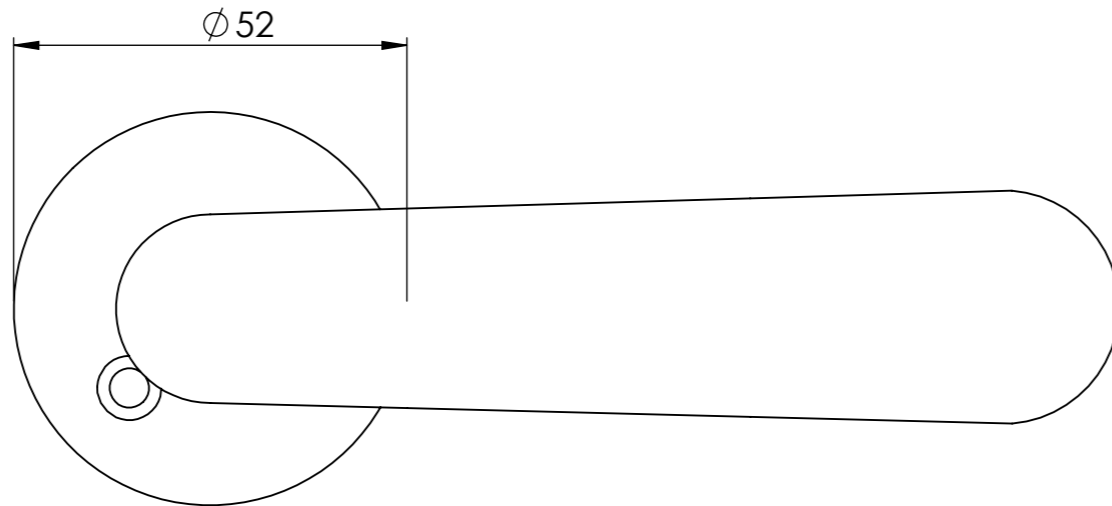
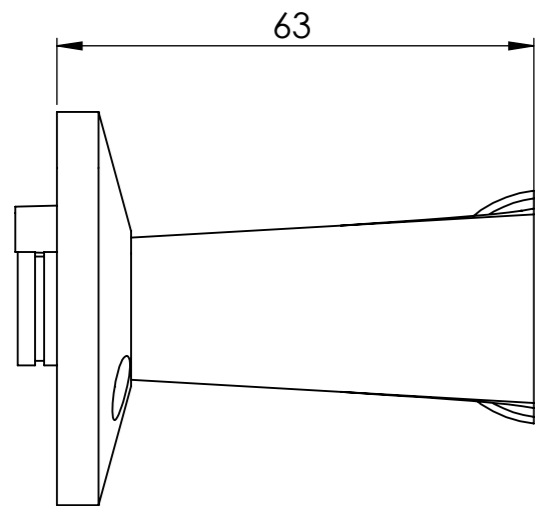
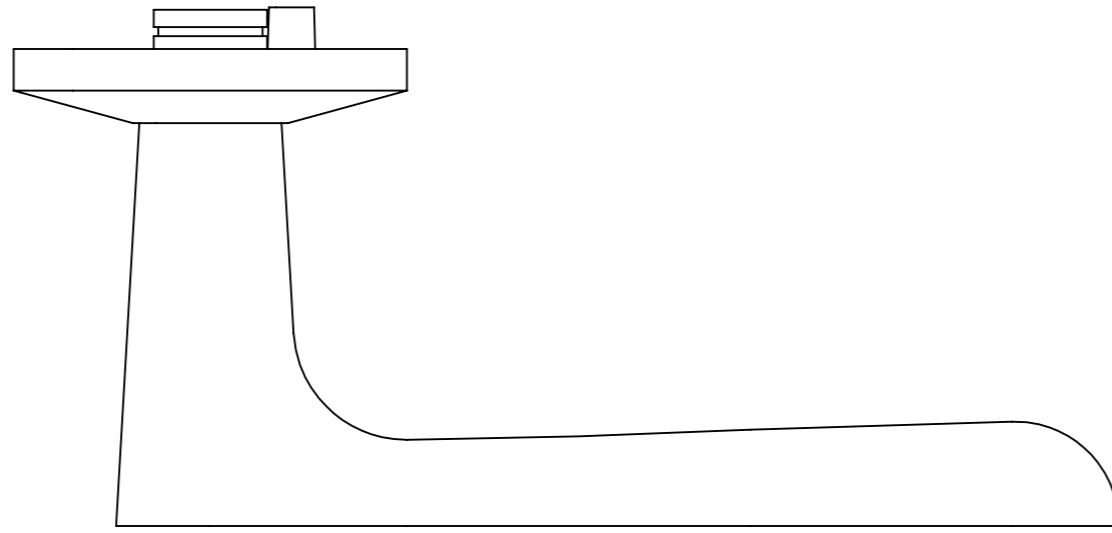



Rev	Note	CreatedBy	Appr.By	Appr.Date



Tolerance		Project	
Sign.	Date	Weight	Scale
Drawn		0	1:1
Appr.		Material	First angle projection
Surface treatment		Sheet	
Surface finish		1/1	
Heat treatment		Rev	
Title/Description		Drawing number	
 18082 TS 1 Exterior Door Handle			

18082 TS 1 Exterior Door Handle