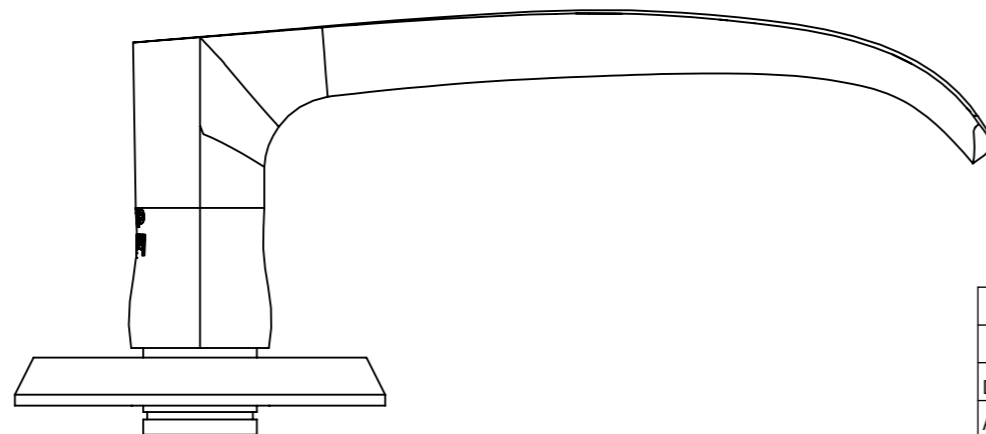
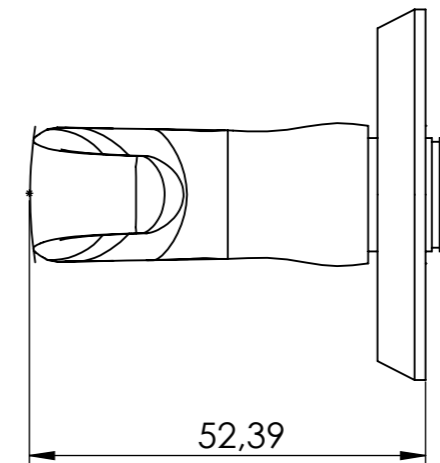
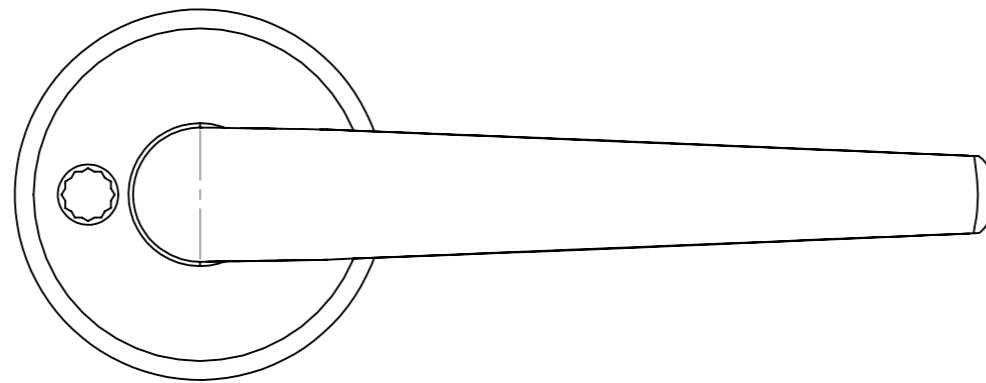
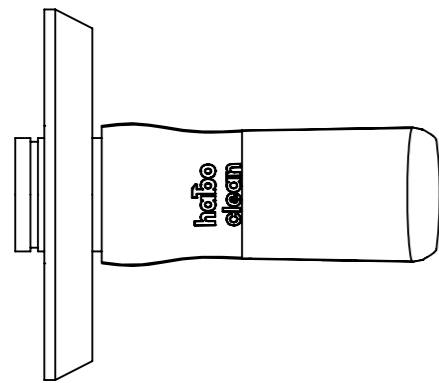
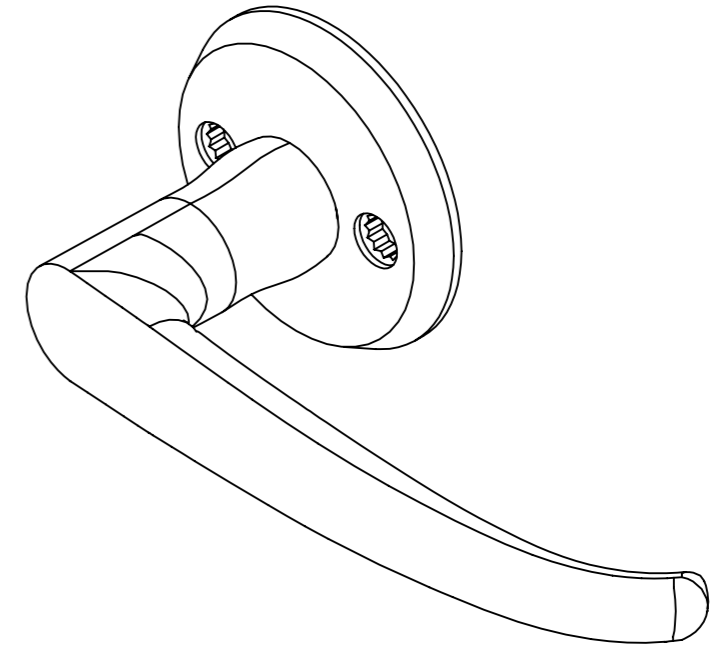
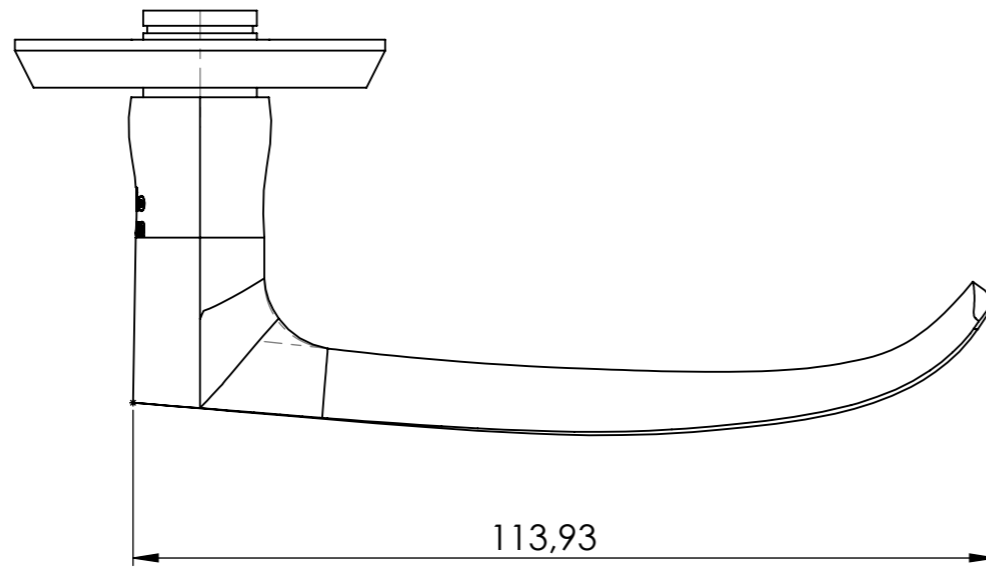


Rev	Note	CreatedBy	Appr.By	Appr.Date



Sign.		Date	Tolerance	Project	
Drawn	CF	2017-09-12	Surface treatment	Weight	Scale
Appr.			Surface finish	1:1	First angle projection
			Heat treatment	Material	
			Title/Description	Sheet	
				1/1	
				Drawing number	Rev
				17222	

**habo**<sup>®</sup>